

### ISSUE 2; July 2024

#### Description

- 3.2 x 1.5mm SMD crystal in a ceramic package with a seam sealed metal lid, hermetically sealed.  
Suitable for real time clock applications.

#### Frequency Parameters

- Frequency: 32.768kHz
- Frequency Tolerance:  $\pm 20.00\text{ppm}$
- Tolerance Condition: @ 25°C  $\pm 5^\circ\text{C}$
- Ageing:  $\pm 3\text{ppm}$  max in 1st year @ 25°C

#### Electrical Parameters

- Load Capacitance (CL): 6.0pF to 12.5pF
- Shunt Capacitance (C0): 1.5pF max
- Drive Level: 0.1 $\mu\text{W}$  typ, 0.5 $\mu\text{W}$  max
- Load Capacitance: 12.5pF (std), other values are available such as 6pF, 7pF and 9pF

#### Operating Temperature Ranges

- 40 to 85°C

#### Environmental Parameters

- Storage Temperature Range: -55 to 125°C
- Drop: 150g dummy, 180cm drop (6 directions x 3 times) onto concrete board
- Vibration: 1.5mm amplitude, 10Hz-60Hz with cycle time 2-3 minutes in 3 directions (X, Y and Z axis) each for 2 hours

#### Manufacturing Details

- RoHS Terminations: NiAu
- RoHS Reflow: 260°C max for 10s max

#### Ordering Information

- Frequency\*  
Model\*  
Frequency Tolerance (@ 25°C)\*  
Load Capacitance\*  
(\*minimum required)
- Example  
32.7680kHz IQXC-217  
20/-/12.5

#### Compliance

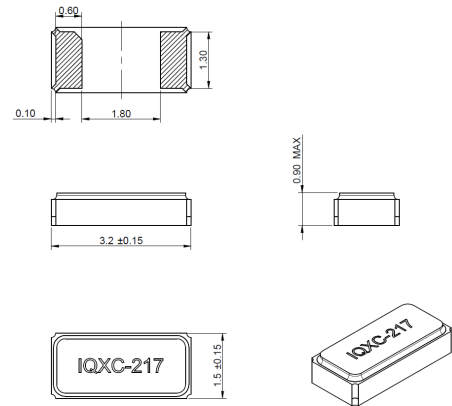
- RoHS Status (2015/863/EU): Compliant
- REACH Status: Compliant
- MSL Rating (JDEC-STD-033): Not Applicable

#### Packaging Details

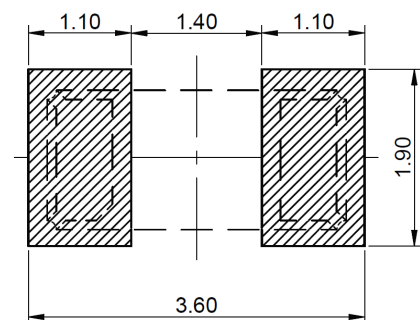
- Tape & reel in accordance with EIA-481  
Quantities below the standard reel size to be supplied on cut tape.  
Standard Pack Quantity: 3,000



#### Outline (mm)



#### Recommended Solder Pad Layout



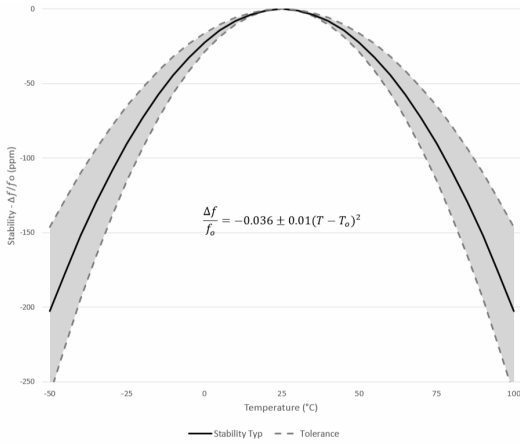
#### Sales Office Contact Details:

UK: +44 (0)1460 270200

Email: [info@iqdfrequencyproducts.com](mailto:info@iqdfrequencyproducts.com)

Web: [www.iqdfrequencyproducts.com](http://www.iqdfrequencyproducts.com)

### Typical Frequency Stability Characteristics



### Electrical Specification - maximum limiting values

Frequency	Temperature Range	Stability	Over Tone Order	ESR
	°C	ppm		Ω
32.768000kHz	-40 to 85	-	Fundamental	70,000

#### Sales Office Contact Details:

UK: +44 (0)1460 270200

Email: [info@iqdfrequencyproducts.com](mailto:info@iqdfrequencyproducts.com)

Web: [www.iqdfrequencyproducts.com](http://www.iqdfrequencyproducts.com)