

ISSUE 7; March 2024

### Description

- 2 x 6mm watch crystal with pre-formed legs to make a SMD package. Suitable for real time clock applications.

### Frequency Parameters

- Frequency 32.768kHz
- Frequency Tolerance  $\pm 20.00\text{ppm}$
- Tolerance Condition @ 25°C
- Ageing  $\pm 5\text{ppm}$  max in 1st year

### Electrical Parameters

- Load Capacitance (CL) 6.0pF to 12.5pF
- Shunt Capacitance (C0) 1.6pF typical
- Drive Level 1.0 $\mu$ W max
- Motional Capacitance (C1): 3.2fF typ
- Frequency Stability Coefficient:  $-0.034\text{ppm}/^\circ\text{C}^2 \pm 0.006\text{ppm}/^\circ\text{C}^2$

### Operating Temperature Ranges

- 40 to 85°C

### Environmental Parameters

- Storage Temperature Range: -40 to 85°C
- High Temperature Storage: 85°C for 24hrs.
- Drop: 75cm drop (3 times) onto hard wooden board.

### Manufacturing Details

- Suitable for reflow soldering at 245°C max for 10sec max x 1 cycle.
- Note: Do not solder the body of the device to any PCB pads. Use other bonding methods such as adhesive, sealant, sticky-pads.
- RoHS Terminations SnAgCu
- RoHS Reflow 245°C for 10secs max

### Ordering Information

- Frequency\*  
Model\*  
Frequency Tolerance @25°C  
Load Capacitance\*
- Example  
32.768kHz CFPX-56  
20/-/12.5

### Compliance

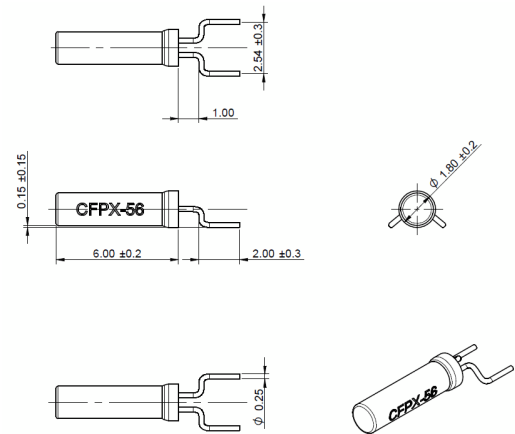
- RoHS Status (2015/863/EU) Compliant
- REACH Status Compliant
- MSL Rating (JDEC-STD-033): Not Applicable

### Packaging Details

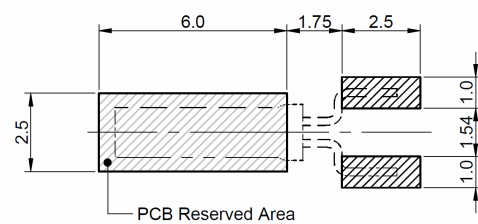
- Tape & reel in accordance with EIA-481  
Quantities below the standard reel size to be supplied on cut tape.  
Standard Pack Quantity: 3,000



### Outline (mm)



### Recommended Solder Pad Layout



NOTE: Do not solder the body of this device to any PCB pads. Use other bonding methods such as adhesive sealant, sticky pads.

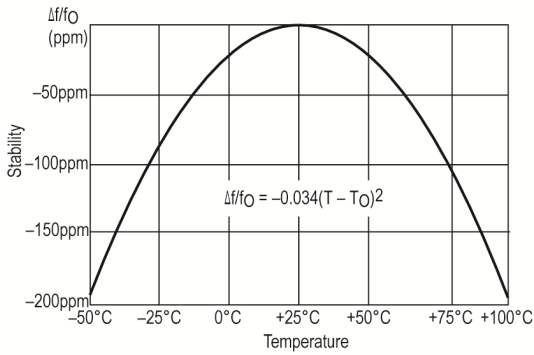
### Sales Office Contact Details:

UK: +44 (0)1460 270200

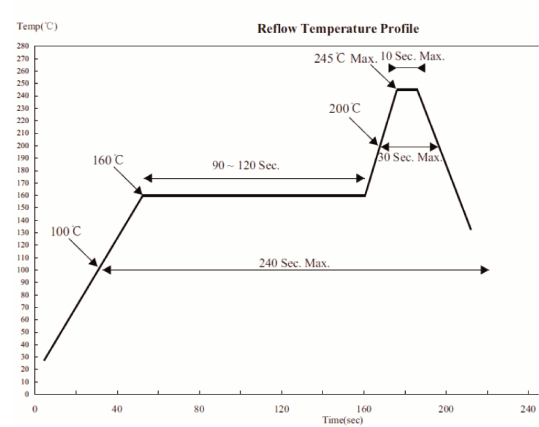
Email: [info@iqdfrequencyproducts.com](mailto:info@iqdfrequencyproducts.com)

Web: [www.iqdfrequencyproducts.com](http://www.iqdfrequencyproducts.com)

**Typical Frequency Stability Characteristics**



**Reflow Temperature Profile**



**Electrical Specification - maximum limiting values**

Frequency	Temperature Range	Stability (Min)	Over Tone Order	ESR
	°C	ppm		Ω
32.768000kHz	-40 to 85	-	Fundamental	40,000

**Sales Office Contact Details:**

UK: +44 (0)1460 270200

Email: [info@iqdfrequencyproducts.com](mailto:info@iqdfrequencyproducts.com)

Web: [www.iqdfrequencyproducts.com](http://www.iqdfrequencyproducts.com)