

ISSUE 9; August 2022

Description

- Industry standard SMD package with 5.5mm lead spacing
- Suitable for real time clock applications
- Plastic encapsulated

Frequency Parameters

- Frequency 32.768kHz
- Frequency Tolerance $\pm 20.00\text{ppm}$
- Ageing $\pm 5\text{ppm max per year @ } 25^\circ\text{C}$

Electrical Parameters

- Load Capacitance (CL) 6.0pF to 12.5pF
- Shunt Capacitance (C0) 1pF typ
- Drive Level 1.0 $\mu\text{W max}$

Operating Temperature Ranges

- 40 to 85°C

Environmental Parameters

- Storage Temperature Range: -55 to 125°C
- Drop: 75cm drop (3 times) onto hard wooden board
- Vibration: 1.5mm amplitude, 10Hz-60Hz, 2-3mins in 3 mutually perpendicular planes, duration 2hrs each plane

Manufacturing Details

- Not suitable for use with ultrasonic cleaning techniques
- RoHS Terminations Matte Sn
- RoHS Reflow 260°C 10s max

Ordering Information

- Frequency*
Model*
Frequency Tolerance (@25°C)*
Load Capacitance*
- Example
32.768kHz 85SMX
20/-/12.5

Compliance

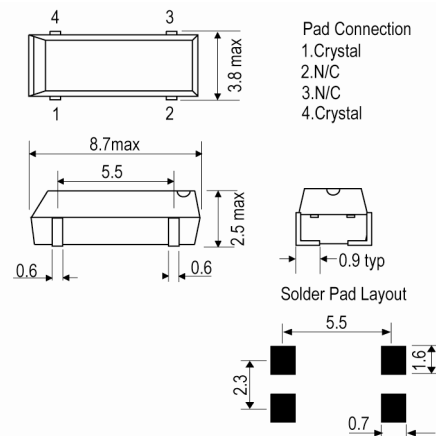
- RoHS Status (2015/863/EU) Compliant
- REACH Status Compliant
- MSL Rating (JDEC-STD-033): Not Applicable

Packaging Details

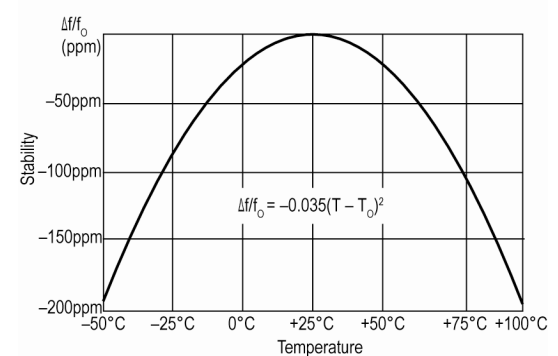
- Pack Style: Reel Tape & reel in accordance with EIA-481-D
Pack Size: 3,000
- Pack Style: Cutt In tape, cut from a reel
Pack Size: 100



Outline (mm)



Typical Frequency Stability Characteristics



Sales Office Contact Details:

UK: +44 (0)1460 270200

USA: +1.760.318.2824

Email: info@iqdfrequencyproducts.com

Web: www.iqdfrequencyproducts.com

Electrical Specification - maximum limiting values

Frequency	Temperature Range	Stability	Over Tone Order	ESR
	°C	ppm		Ω
32.768000kHz	-40 to 85	-	Fundamental	50,000

Sales Office Contact Details:

UK: +44 (0)1460 270200

USA: +1.760.318.2824

Email: info@iqdfrequencyproducts.com

Web: www.iqdfrequencyproducts.com