

Leader and Trailer

- There shall be a leader of 400mm minimum of cover tape, which includes at least 100mm of carrier tape with empty compartments sealed by the cover tape.
- There shall be a trailer of 160mm minimum of empty carrier tape sealed with cover tape. The entire carrier tape shall release from the reel hub as the last portion of the tape unwinds from the reel without damage to the carrier tape and the remaining components in the cavities.

Bend Radius

- The tape shall pass around a bend with radius 30mm without damage.

Camber

- Not more than 1mm lateral movement across 250mm length of tape.

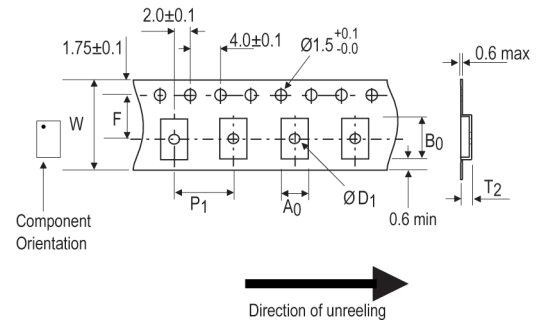
References

- All dimensions based on international standard EIA-481-D.

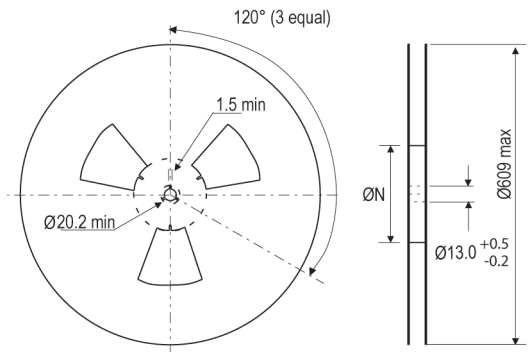
Statek Product

- For specific details on Statek's tape and reel specifications, please refer to the technical information at <http://www.iqdfrequencyproducts.com/app-notes/tape-reel/>

Tape (mm)



Reel (mm)



Generic Package Size	Generic Tape Width	W (max)	F	A ₀ (typ)	P ₁ (typ)	B ₀ (typ)	D ₁ (min)	N (min)	T ₂ (max)
1.6 x 1.2	8	8.3	3.5±0.05	1.7	2 or 4	1.9	-	50	2.5
2 x 1.6	8	8.3	3.5±0.05	2.2	2 or 4	2.4	-	50	2.5
2.5 x 2	8	8.3	3.5±0.05	2.5	2 or 4	3.0	1	50	2.5
3.2 x 2.5	8	8.3	3.5±0.05	3.0	2 or 4	3.7	1	50	2.5
5 x 3.2	12	12.3	5.5±0.05	4.3	2, 4 or 8	5.5	1.5	50	6.5
6 x 3.5	12	12.3	5.5±0.05	4.0	2, 4 or 8	6.5	1.5	50	6.5
7 x 5	16	16.3	7.5±0.1	6.0	4, 8 or 12	8.0	1.5	50	16.3
14 x 9.8	24	24.3	11.5±0.1	10.8	4, 8 or 12	15.0	1.5	60	24.3

Contact Details:

UK: +44 (0)1460 270200
Germany: 0800 1808 443

France: 0800 901 383
USA: +1.760.318.2824

Email: info@iqdfrequencyproducts.com
Web: www.iqdfrequencyproducts.com