

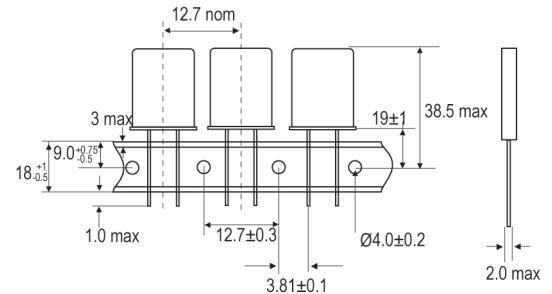
### Hold Down Tape

- The hold down tape shall not protude beyond the carrier tape.
- The components shall be held sufficiently in the tape so that their position remains within the permitted tolerances.

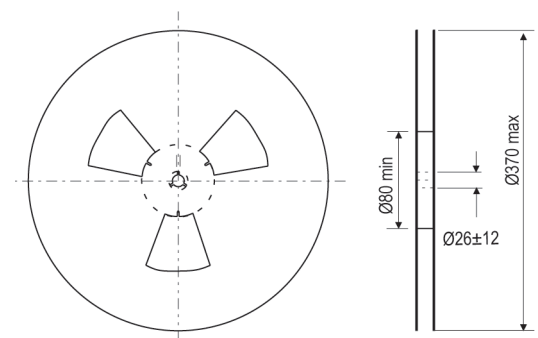
### References

- All dimensions are based on international standard EIA-481-C.

### Tape (mm)



### Reel (mm)



Cut outs are shown for indication only

### Contact Details:

UK: +44 (0)1460 270200  
Germany: 0800 1808 443

France: 0800 901 383  
USA: +1.760.318.2824

Email: [info@iqdfrequencyproducts.com](mailto:info@iqdfrequencyproducts.com)  
Web: [www.iqdfrequencyproducts.com](http://www.iqdfrequencyproducts.com)